

# PRODUCT INFORMATION PACKET

Model No: 056B17F5330  
Catalog No: D404  
1 1/2, 1800, TEFC, 56C, 1/60/115/208-230  
Brake



Regal and Marathon are trademarks of Regal Beloit Corporation or one of its affiliated companies.  
©2018 Regal Beloit Corporation, All Rights Reserved. MC017097E



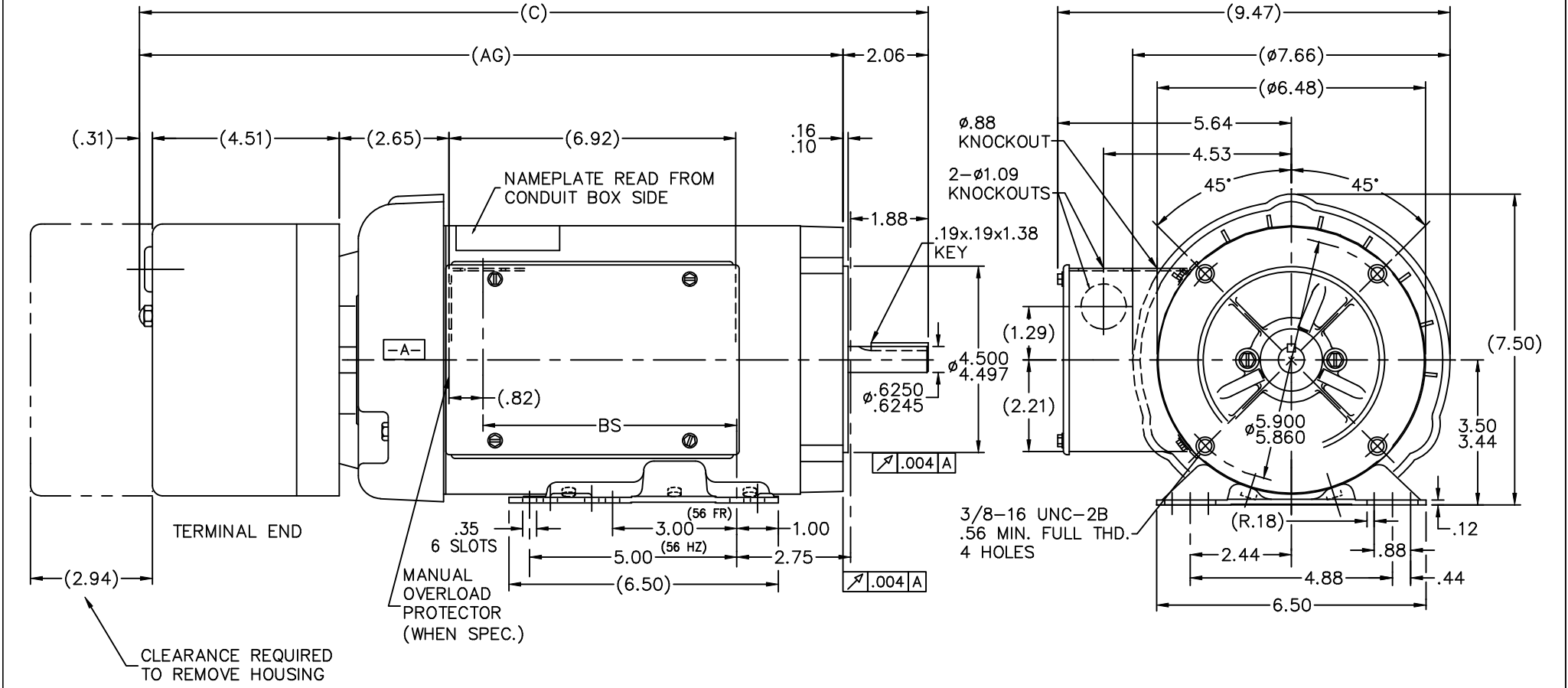
### Nameplate Specifications

Output HP	<b>1.50 Hp</b>	Output KW	<b>1.1 kW</b>
Frequency	<b>60 Hz</b>	Voltage	<b>115/208-230 V</b>
Current	<b>15.2/8.2-7.6 A</b>	Speed	<b>1725 rpm</b>
Service Factor	<b>1.15</b>	Phase	<b>1</b>
Efficiency	<b>80 %</b>	Duty	<b>Continuous</b>
Insulation Class	<b>B</b>	Design Code	<b>NO DESIGN CODE</b>
KVA Code	<b>J</b>	Frame	<b>56C</b>
Enclosure	<b>Totally Enclosed Fan Cooled</b>	Overload Protector	<b>No</b>
Ambient Temperature	<b>40 °C</b>	Drive End Bearing Size	<b>6203</b>
Opp Drive End Bearing Size	<b>6203</b>	UL	<b>Recognized</b>
CSA	<b>Y</b>	CE	<b>N</b>
IP Code	<b>43</b>		

### Technical Specifications

Electrical Type	<b>Capacitor Start Capacitor Run</b>	Starting Method	<b>Across The Line</b>
Poles	<b>4</b>	Rotation	<b>Selective Counterclockwise</b>
Mounting	<b>Bolt-on Base</b>	Motor Orientation	<b>Horizontal</b>
Drive End Bearing	<b>Ball</b>	Opp Drive End Bearing	<b>Ball</b>
Frame Material	<b>Rolled Steel</b>	Shaft Type	<b>NEMA 56</b>
Overall Length	<b>19.04 in</b>	Frame Length	<b>8.56 in</b>
Shaft Diameter	<b>0.625 in</b>	Shaft Extension	<b>2.06 in</b>
Assembly/Box Mounting	<b>F1 Only</b>		
Outline Drawing	<b>B-104478-856</b>	Connection Diagram	<b>102006-51</b>

This is an uncontrolled document once printed or downloaded and is subject to change without notice. Date Created: 06/29/2018

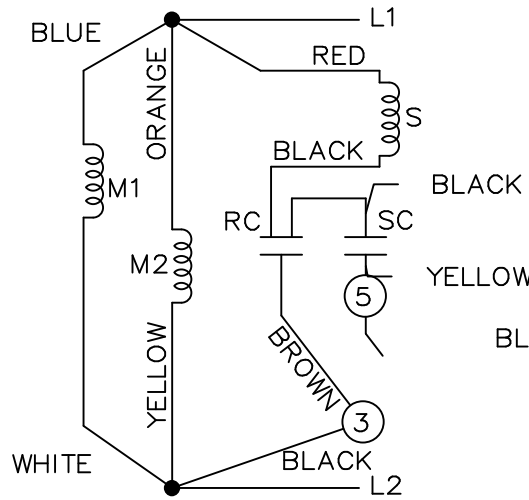


NOTES:  
1. BASE IS REMOVEABLE

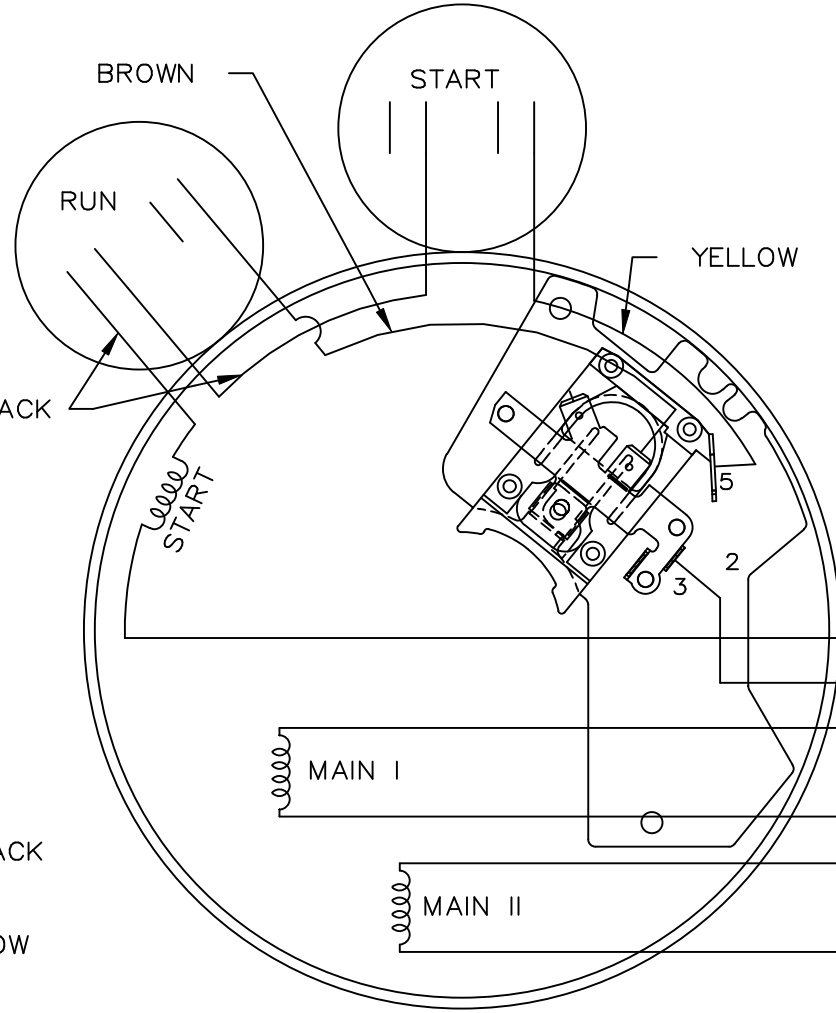
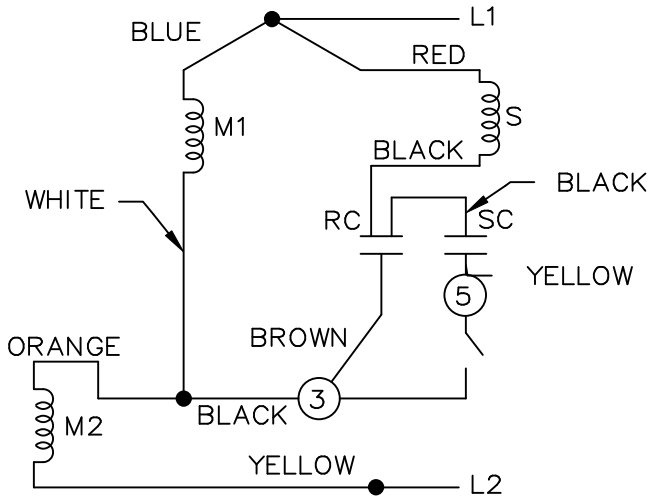
DASH	FR.	C	AG	BS
806	56-80	18.54	16.48	5.63
856	56-85	19.04	16.98	6.13
906	56-90	19.54	17.48	6.63
956	56-95	20.04	17.98	7.13

		TOLERANCES UNLESS SPECIFIED		MARATHON ELECTRIC		DRAWN BLR 07-28-1998	
		DEC.	INCHES			CHK	ML 08-23-1998
		.X	±.1			APPD	JB 08-04-1998
2	REDRAWN IN AUTOCAD	TAT	07-06-2004	ML	.XXX ±.005	TITLE OUTLINE	
1	NEW DRAWING	MU18260	BLR	08-04-1998	.XXXX ±.0005	56 FR. - TEFC - C' FACE	
NO.	REVISION	BY & DATE	CHK	ANG	FINISH	SCALE 7-16	
				±7'30"		REF	
THIS DRAWING IN DESIGN AND DETAIL IS OUR PROPERTY AND MUST NOT BE USED EXCEPT IN CONNECTION WITH OUR WORK ALL RIGHTS OF DESIGN AND INVENTION ARE RESERVED THIS IS AN ELECTRONICALLY GENERATED DOCUMENT - DO NOT SCALE THIS PRINT						RFP	CAD FILE 104478
						DIST	WP
						SIZE	DRAWING NO. PAGE OF REV.
						B	104478 2

LOW VOLTAGE C.C.W.

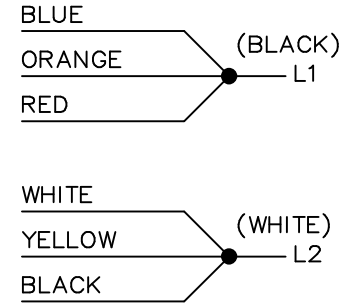


HIGH VOLTAGE C.C.W.

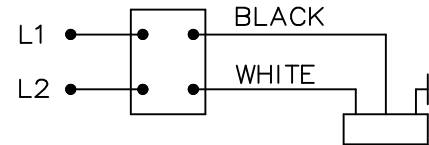
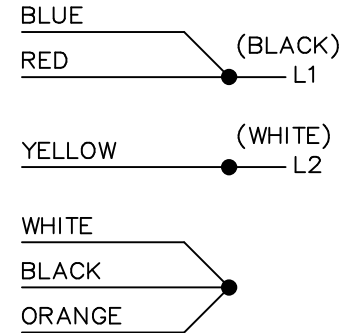


DUAL VOLTAGE CAPACITOR  
START-CAP RUN NO OVERLOAD  
SELECT ROTATION

LOW VOLTAGE C.C.W. ROTATION



HIGH VOLTAGE C.C.W. ROTATION



FOR C.W. ROTATION,  
EITHER VOLTAGE,  
INTERCHANGE RED WITH  
BLACK LEAD

			TOLERANCES UNLESS SPECIFIED		MARATHON ELECTRIC	DRAWN DT 06-07-1996			
			DEC.	INCHES		CHK MRB 06-16-1996			
			.X	±.1	TITLE CONNECTION DIAGRAM	APPD GK 06-16-1996			
			.XX	±.02		SCALE 5=8			
9	ADDED CORD AND SWITCH VIEW MU37521	DRS 06-22-2001	.XXX	±.005		REF			
8	REDRAWN ON CADD	DT 06-16-1996	.XXXX	±.0005		MAT'L.	FMF		
NO.	REVISION	BY & DATE	CHK	ANG ±7'30"	FINISH	PREV			
THIS DRAWING IN DESIGN AND DETAIL IS OUR PROPERTY AND MUST NOT BE USED EXCEPT IN CONNECTION WITH OUR WORK ALL RIGHTS OF DESIGN AND INVENTION ARE RESERVED THIS IS AN ELECTRONICALLY GENERATED DOCUMENT - DO NOT SCALE THIS PRINT			RFP	CAD FILE 102006-51		SIZE A	DRAWING NO. 102006-51	PAGE OF	REV. 9
			DIST WP						

CERTIFICATION DATA SHEET

Model#: 56B17F5330 F WINDING#: ZB406 NONE 3  
 CONN. DIAGRAM: 102006-51 ASSEMBLY: F1 ONLY  
 OUTLINE: B-104478-856

TYPICAL MOTOR PERFORMANCE DATA

HP	KW	SYNC. RPM	F.L. RPM	FRAME	ENCLOSURE	KVA CODE	DESIGN
1 1/2&1	1.12&.75	1800	1725&1425	56C	TEFC	J	NO DESIGN CODE

PH	Hz	VOLTS	FL AMPS	START TYPE	DUTY	INSL	S.F	AMB°C	ELEVATION
1	60/50	115/208-230#110/220	15.2/8.2-7.6&15.6/7.8	ACROSS THE LINE	CONTINUOUS	B3	1.15/1.15	40	3300

FULL LOAD EFF: 80&71	3/4 LOAD EFF: 80.5	1/2 LOAD EFF: 76.1	GTD. EFF	ELEC. TYPE	NO LOAD AMPS
FULL LOAD PF: 80&58	3/4 LOAD PF: 71.2	1/2 LOAD PF: 61	0	CAP START CAP RUN	8.1 / 4.1

F.L. TORQUE	LOCKED ROTOR AMPS	L.R. TORQUE	B.D. TORQUE	F.L. RISE°C
4.51 LB-FT	107.6 / 53.8	14.8 LB-FT 328	12.4 LB-FT 275	70

SOUND PRESSURE @ 3 FT.	SOUND POWER	ROTOR WK^2	MAX. WK^2	SAFE STALL TIME	STARTS /HOUR	APPROX. MOTOR WGT
0 dBA	10 dBA	0 LB-FT^2	0 LB-FT^2	0 SEC.	0	0 LBS.

\*\*\* SUPPLEMENTAL INFORMATION \*\*\*

DE BRACKET TYPE	ODE BRACKET TYPE	MOUNT TYPE	ORIENTATION	SEVERE DUTY	HAZARDOUS LOCATION	DRIP COVER	SCREENS	PAINT
C-FACE	BRAKE	BOLT-ON	HORIZONTAL	FALSE	NONE	FALSE	NONE	GRAY (POWDER)

BEARINGS		GREASE	SHAFT TYPE	SPECIAL DE	SPECIAL ODE	SHAFT MATERIAL	FRAME MATERIAL
DE	OPE						
BALL	BALL	POLYREX EM	STANDARD 56	NONE	NONE	1144 STRESSPROOF (C-223)	ROLLED STEEL
6203	6203						

THERMO-PROTECTORS				THERMISTORS	CONTROL	SPACE /n HEATERS
THERMOSTATS	PROTECTORS	WDG RTDs	BRG RTDs			
NONE	NOT	NONE	NONE	NONE	FALSE	NONE VOLTS

If Inverter equals NONE, contact factory for further information

\*  
N  
O  
T  
E  
S  
\*

INVERTER TORQUE: NONE
INV. HP SPEED RANGE: NONE
ENCODER: NONE
NONE NONE
NONE NONE PPR
BRAKE: REGAL SUPPLIED AND MOUNT
NONE
STEARNS P/N 35467-74
56,000 NEMA 4
10 FT-LB 115/230-95/190 V 60/50 Hz

FORM 3531 REV.3 02/07/99

\*\* Subject to change without notice.